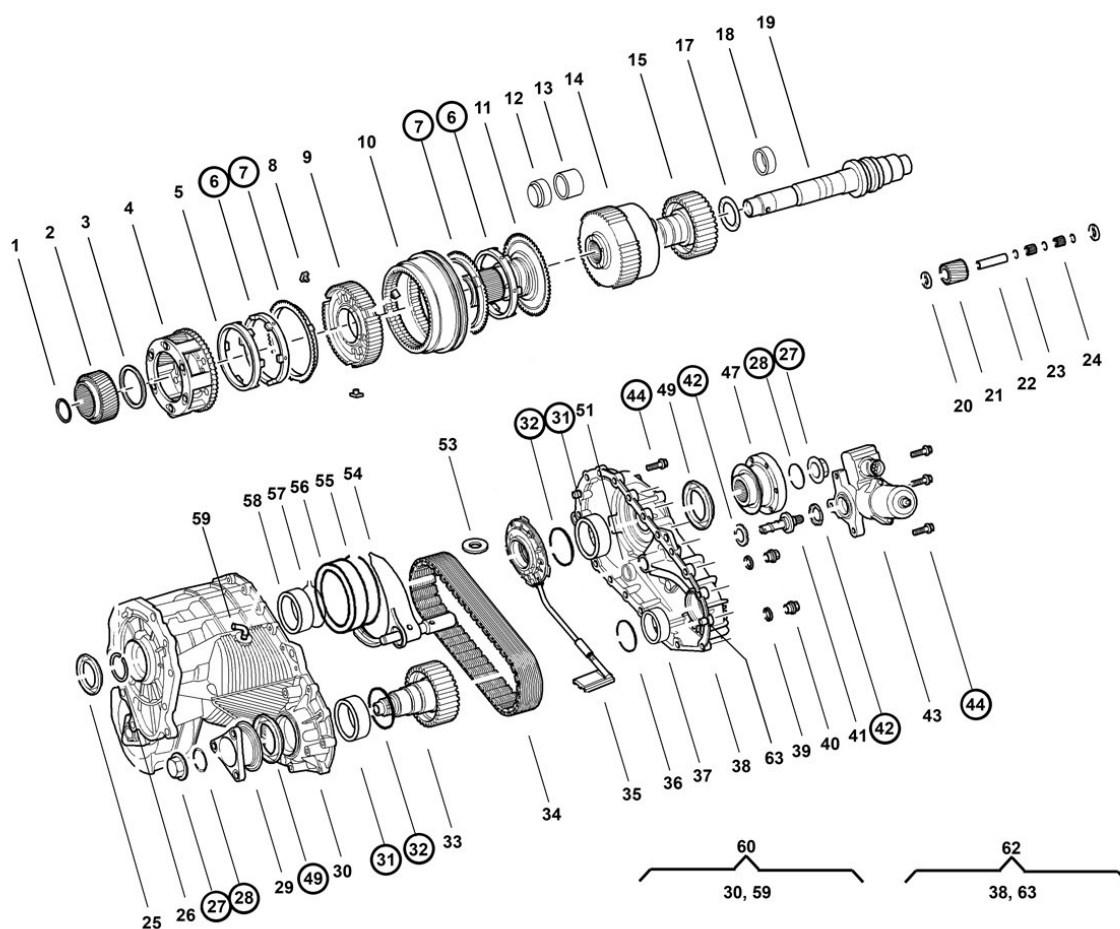


**RANGE ROVER III, L322 (LM) 3.0 TD6 2002 - 2006/12, 4.4 V8 2002 - 2005/12  
 NEW VENTURE GEAR TRANSFER CASE, NV225, NVG225, NP225. IAB000033  
 (COUPLED WITH 5 SPEED GEARBOX)**



ILL #	JPAT PART NO.	DESCRIPTION	LAND ROVER NO.	INFO
8	N900 29 02	DETENT, INTERLOCK x 3		
11	N900 29 05	INPUT SHAFT		
14	N900 29 03	DIFF, TORSEN TORQUE BIASING		
19	N900 29 04	MAIN SHAFT		
25	N900 15 01	SEAL, INPUT		
31	N900 46 02	BEARING, OUTPUT x 2		
34	N900 29 01	CHAIN		
43	N900 35 01	ACTUATOR	IGH500010	
49	N900 15 02	SEAL, OUTPUT x 2		
58	N900 46 01	BEARING, INPUT		
	N900 00 01	TRANSFER ASSY, COMPLETE	IAB000033	

**JP (Automatic Transmissions) Ltd**

tel +44 (0) 1934 852772 • info@jpat.co.uk • www.jpat.co.uk

Units 4a & 4b Pear Tree Ind. Estate, Upper Langford, N. Somerset, BS40 5DJ, UK