

Transfer Case ATC400

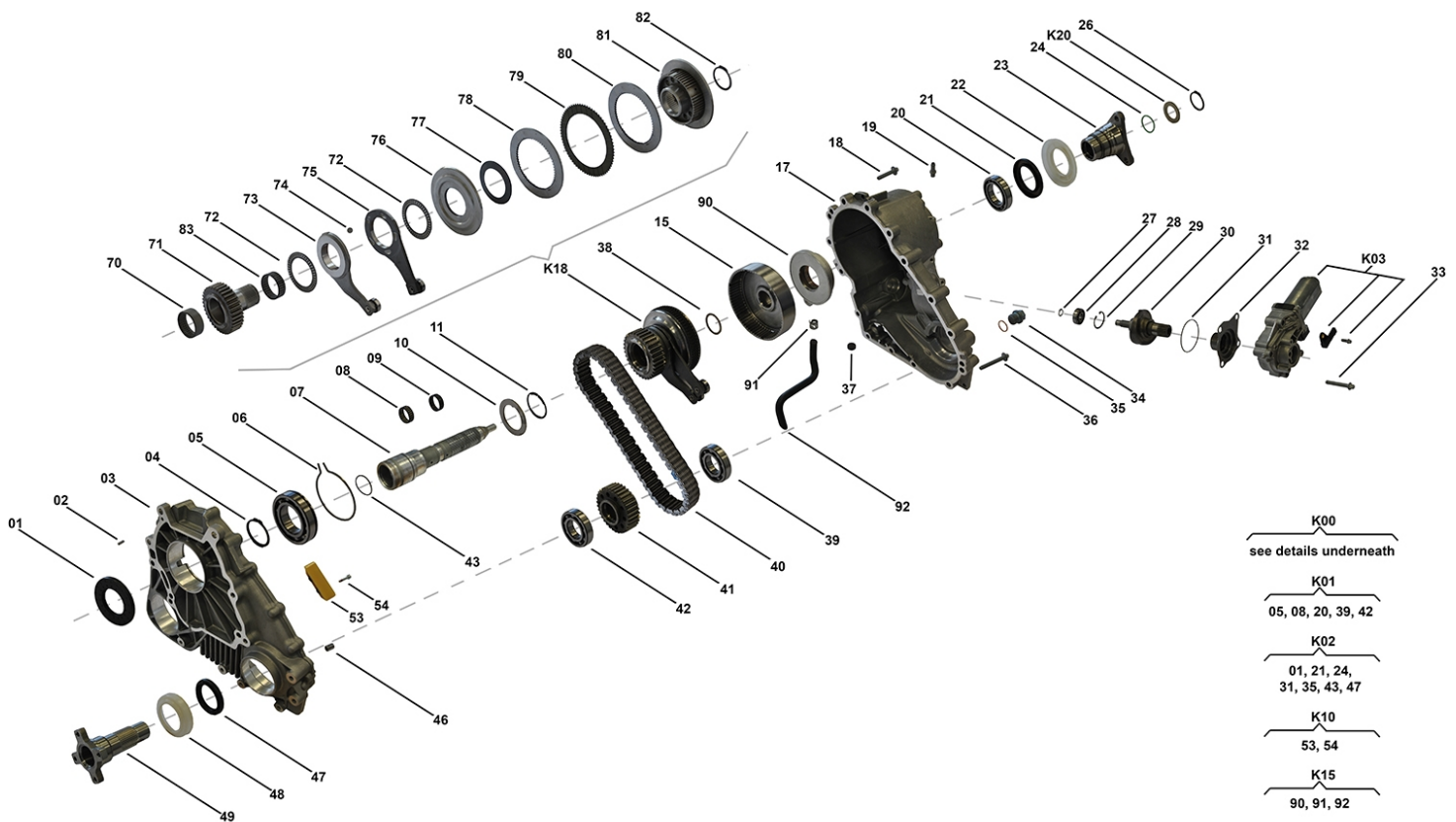
N902 00 01, N902 00 02, N902 00 04, N902 00 03

OEM No: 27103455132; 27103455135; 27103455136; 27103455137; 27103455138; 27103455139

Brands

Brand	Modelseries
BMW	X3

List of parts



Pos	Part number	OEM no	Quantity	Product name	Info
'101	N902 00 01	27103455136; 27103455139		OE References	27100362791, 27103428186, 27103435185, 27103455133, 27103455134, 27107526278, 27107535865, 27107545710, 27107546816, 27107555293, 27107555294, 27107555296, 27107573213, 27107573214, 27107573222, 27103455136, 27103455139

All rights reserved.
This publication may not be reproduced in any form, in whole or in part, without a written approval from JP (Automatic Transmissions) Ltd. Subject to change without notice!

Transfer Case ATC400

N902 00 01, N902 00 02, N902 00 04, N902 00 03

OEM No: 27103455132; 27103455135; 27103455136; 27103455137; 27103455138; 27103455139

List of parts

Pos	Part number	OEM no	Quantity	Product name	Info
'I02	N902 00 02	27103455135; 27103455137		OE References	27103434169, 27103434267, 27103435186, 27103435187, 27107573215, 27107573216, 27107573217, 27107573218, 27103455135, 27103455137
'I03	N902 00 04	27103455138		OE References	27103424081, 27103427762, 27107573221, 27103455138
'I04	N902 00 03	27103455132		OE References	27107567845, 27107567846, 27103455132
'K00	SP01201		1 piece	Repair Kit	Contains position K03, 01, 05, 08, 20, 21, 24, 26, 27, 28, 31, 32, 35, 38, 39, 40, 42, 43, 47, 53, 54, 70, 72, 77, 78, 79, 80, 82, 83, 90, 91 Detailed information can be found in Categories "Repair Kit's"
'K01	N902 10 01		1 piece	Bearing Kit	Contains position 05, 08, 20, 39, 42
'K02	N902 05 01		1 piece	Sealing Kit	Contains position 01, 21, 24, 31, 35, 43, 47
'K03	N905 35 01	27102449709; 27107566296	1 piece	Actuator Kit	Supplied with Code Resistor
'K10	N902 29 12		1 piece	Sliding Block Kit	Contains position 53, 54
'K15	N902 38 01		1 piece	Oil Pump ASM	Contains position 90, 91, 92
'K18	N902 29 02		1 piece	Sprocket ASM	
'K20	SP00114	27107537629	1 piece	Shim Set	Contains 16 different Shims with Dimensions from 2.1mm up to 3.6mm
01	N902 15 01	27107539262	1 piece	Radial Sealing	
02	SP00154		1 piece	Pin	
03	Not available		1 piece	Housing Front	
04	SP00160		1 piece	Retaining Ring	
05	N902 46 01		1 piece	Ball Bearing	
06	SP00140		1 piece	Retaining Ring	
07	N902 29 07		1 piece	Main Shaft ASM	Information for ATC400: Used in 27103455136, 27103455138, 27103455139
07	N902 29 08		1 piece	Main Shaft ASM	Information for ATC400: Used in 27103455133, 27103455134
07	N902 29 09		1 piece	Main Shaft ASM	Information for ATC400: Used in 27103455132, 27103455135, 27103455137
08	N902 23 02		1 piece	Needle Bearing	
09	N902 29 10		1 piece	Tolerance Ring	
10	N902 22 02		1 piece	Thrust Washer	
11	N902 29 11		1 piece	Retaining Ring	
15	N902 29 03		1 piece	Drum	Information for ATC400: Used in 27103455133, 27103455134
15	N902 29 05		1 piece	Drum	Information for ATC400: Used in 27103455132, 27103455135, 27103455136, 27103455137, 27103455138, 27103455139
17	Not available		1 piece	Housing Rear	
18	SP00180		9 pieces	Tapping Screw	
19	SP00128		1 piece	Vent Pipe	
20	N902 46 02		1 piece	Ball Bearing	

All rights reserved.
This publication may not be reproduced in any form, in whole or in part, without a written approval from JP (Automatic Transmissions) Ltd. Subject to change without notice!

Transfer Case ATC400

N902 00 01, N902 00 02, N902 00 04, N902 00 03

OEM No: 27103455132; 27103455135; 27103455136; 27103455137; 27103455138; 27103455139

List of parts

Pos	Part number	OEM no	Quantity	Product name	Info
21	N902 15 03	27107539265; 331401LA0A	1 piece	Radial Sealing	
22	SP00101	27107537663; 331411LA0A	1 piece	Slinger	
23	SP00105	27107537662	1 piece	Flange Rear	Information for ATC400: Used in 27103455133, 27103455134, 27103455136, 27103455139
23	SP00106	27107565929	1 piece	Flange Rear	Information for ATC400: Used in 27103455138
23	SP00107	27107565930	1 piece	Flange Rear	Information for ATC400: Used in 27103455132, 27103455135, 27103455137
24	N902 16 02	27107537631	1 piece	O-Ring	
26	SP00112	27107539525; 331381LA0A	1 piece	Retaining Ring	
27	SP00157		1 piece	Retaining Ring	
28	SP00150		1 piece	Ball Bearing	
29	SP00158		1 piece	Retaining Ring	
30	N902 29 13		1 piece	Shaft Actuator Assy	
31	N902 16 03		1 piece	O-Ring	
32	SP00159		1 piece	Needle Sleeve	
33	SP00132	27107539410	4 pieces	Screw	
34	SP00120	27107571645	2 pieces	Plug	
35	N902 22 03	07119963308; 88896062; LR048842	2 pieces	Washer Sealing	Information for ITC PLA: Used in LR023011, LR035617, LR045477, LR049160, LR052611, LR089531
36	SP00181		6 pieces	Tapping Screw	
37	SP00130	05143630AA; A2102760098	1 piece	Magnet	
38	N902 22 01		1 piece	Thrust Washer	
39	N901 46 03		1 piece	Ball Bearing	
40	N902 29 01	HV086	1 piece	Chain	
41	SP00190		1 piece	Sprocket	
42	N902 46 04		1 piece	Ball Bearing	
43	N902 16 01	27107537630	1 piece	O-Ring	
46	SP00155		2 pieces	Pin	
47	N902 15 02	27107539266	1 piece	Radial Sealing	
48	SP00103	27107537665	1 piece	Slinger	
49	N902 29 06	27107537664	1 piece	Flange Front	
53	Only available in K10		2 pieces	Sliding Block	
54	Only available in K10		4 pieces	Screw	
70	N902 23 04		1 piece	Needle Sleeve	
71	Only available in K18		1 piece	Spur Gear	
72	SP00134		2 pieces	Needle Ring Axial	
73	SP00394		1 piece	Actuator Ring	
74	SP00302		5 pieces	Ball	
75	SP00395		1 piece	Actuator Ring	
76	SP00003		1 piece	Piston	
77	N901 24 01		4 pieces	Disk Spring	
78	Only available in K00 & K18		1 piece	Shim Set	Contains Shim Dimensions 3.40, 3.60, 3.80
79	Only available in K00 & K18		6 pieces	Torque Transfer Shim	
80	Only available in K00 & K18		7 pieces	Steel Plate	

All rights reserved.

This publication may not be reproduced in any form, in whole or in part, without a written approval from JP (Automatic Transmissions) Ltd. Subject to change without notice!

4WD Single Parts

2018



Transfer Case ATC400

N902 00 01, N902 00 02, N902 00 04, N902 00 03

OEM No: 27103455132; 27103455135; 27103455136; 27103455137; 27103455138; 27103455139

List of parts

Pos	Part number	OEM no	Quantity	Product name	Info
81	Only available in K18		1 piece	Hub	
82	Only available in K00 & K18		1 piece	Retaining Ring	
83	N902 23 03		1 piece	Needle Ring Axial	
90	Only available in K00 & K15		1 piece	Oil Pump	
91	Only available in K00 & K15		1 piece	Clamp	
92	Only available in K15		1 piece	Suction Pipe	
	N927 00 04	00004330136; 00004330563; 83220397244; 83222409710	1 piece	Transmission Fluid	Shipment in 1 liter bottles. Fillgrade information please see Oil List.
	SP02000		1 piece	Sealant	Sealant SILICON BLACK (1pce = 300ml)

All rights reserved.

This publication may not be reproduced in any form, in whole or in part, without a written approval from JP (Automatic Transmissions) Ltd. Subject to change without notice!